



## DON PRESS - BELT FILTER PRESSES

*For municipal and industrial sludge dewatering*



### Features

- Made in USA
- Independent dual-belt system
- Self-cleaning belt wash nozzles which allow the use of recycled water
- Pneumatic belt tracking and tensioning
- Frame and guards constructed of Type-304 stainless steel
- Available as a stand-alone press or as part of a complete skid system, which includes a polymer blend system, flocculation system, sludge pump, belt wash pump, air compressor, and controls

### Standard Don Press Belt Press Models

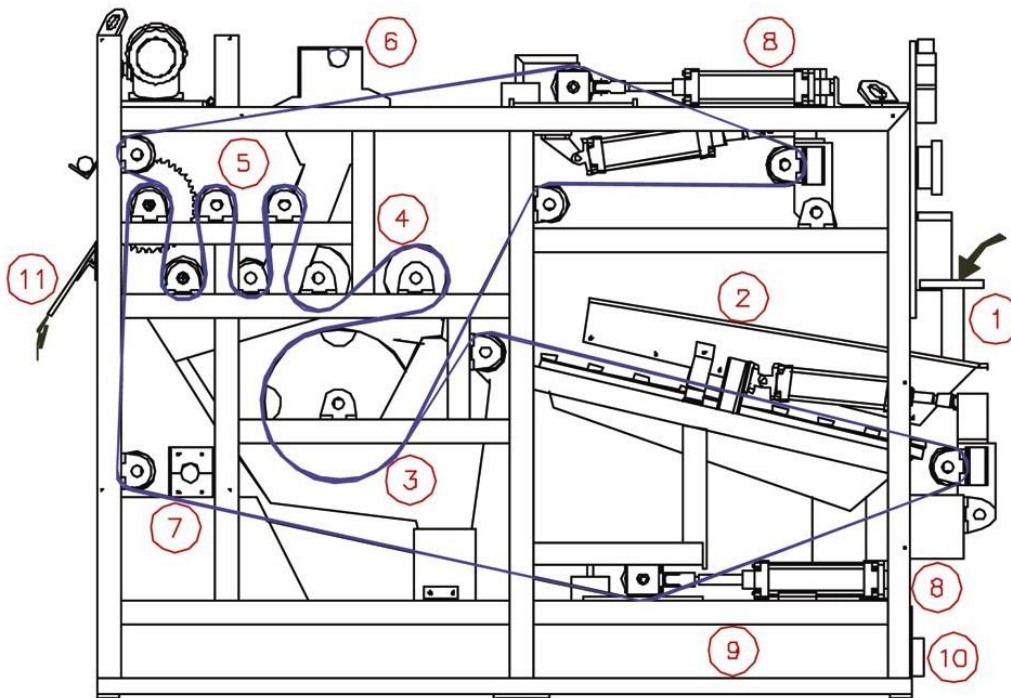
| Model | Belt Width (m) | Total Belt Filter Area (ft <sup>2</sup> ) | Dimensions* (LxWxH, in) | Capacity (gpm) | Wash Water Flow (gpm) | Weight* (lb) |
|-------|----------------|---|-------------------------|----------------|-----------------------|--------------|
| 500   | 0.5            | 41.5                                      | 102 x 38 x 72           | 4 - 22         | 15                    | 1,100        |
| 1000  | 1.0            | 89.0                                      | 102 x 57 x 72           | 26 - 58        | 29                    | 1,600        |
| 1500  | 1.5            | 138.4                                     | 131 x 75 x 85           | 75 - 100       | 48                    | 4,000        |

\*Dimensions and weights are for press only and exclude skids, sludge conditioning tanks, polymer tanks, and control panels

76 Center Drive Gilberts, IL 60136 Phone 847-428-8222

[www.dontechindustriesinc.com](http://www.dontechindustriesinc.com)

## Don Press - Belt Press Features



- 1 Sludge inlet
- 2 Gravity dewatering zone
- 3 Low pressure perforated dewatering roller
- 4 Medium pressure dewatering rollers
- 5 High pressure dewatering rollers
- 6 Upper belt washing device
- 7 Lower belt washing device
- 8 Belt tracking devices
- 9 General drain pan
- 10 Filtrate outlet
- 11 Cake outlet

## Performance Data

| Sludge Source             | Inlet TS (%) | Cake TS (&%) | Dry Solids Loading Rate (lb/hr-m width) | Polymer Consumption (lb/dry ton) |
|---------------------------|--------------|--------------|---|----------------------------------|
| Aerobically digested WAS  | 1 - 5        | 18 - 22      | 285 - 440                               | 6 - 10                           |
| Anaerobic digester        | 3 - 6        | 18 - 28      | 330 - 550                               | 4 - 12                           |
| Municipal primary sludge  | 3 - 6        | 22 - 32      | 330 - 615                               | 2 - 6                            |
| Primary physical-chemical | 3 - 6        | 22 - 32      | 330 - 700                               | 4 - 10                           |
| Milk processing           | 1 - 3        | 12 - 18      | 165 - 220                               | 6 - 10                           |
| Slaughterhouse            | 2 - 4        | 13 - 20      | 285 - 395                               | 6 - 14                           |
| Paper mill                | 3 - 10       | 20 - 36      | 375 - 660                               | Data not available               |
| Drinking water            | 2 - 10       | 15 - 40      | 165 - 220                               | 2 - 8                            |

*Note: The above data are derived from actual applications and are subject to variation.*

## About Dontech Industries, Inc.

Dontech Industries, Inc. offers more than 40 years of experience in the engineering and design of screens, screening systems, solids conveyance/compactor systems and belt filter presses.

With its own team of highly experienced machine operators/welders each screen is individually constructed to the clients exacting specifications. This professional team allows for ease in construction of equipment of unique shape, size, or other design consideration.

Offering experience in both the industrial and municipal markets, our professionals have the knowledge that allows all pertinent design questions to be addressed assuring the final equipment meets the design application.

76 Center Drive Gilberts, IL 60136 Phone 847-428-8222

[www.dontechindustriesinc.com](http://www.dontechindustriesinc.com)